

QMS2K

DC~40GHz, SPDT

- Features:
- * Low VSWR
 - * Low Insertion Loss
 - * High Isolation

- Applications:
- * Wireless
 - * Transmitter
 - * Laboratory Test
 - * Radar

Electrical

Frequency:		DC~40GHz		
Impedance:		50Ω		
Frequency range (GHz)	Insertion Loss (dB)	Isolation (dB)	VSWR	
DC-6	0.2	70	1.2	
6-12	0.3	70	1.3	
12-18	0.4	60	1.4	
18-26.5	0.6	55	1.6	
26.5-32	0.7	50	1.7	
32-40	0.8	50	1.8	
Voltage*1 (V)		+12	+24	+28
Current (mA)	Failsafe	195	100	95
	Latching	230	140	120

[1]The voltage can be selected according to user requirements.

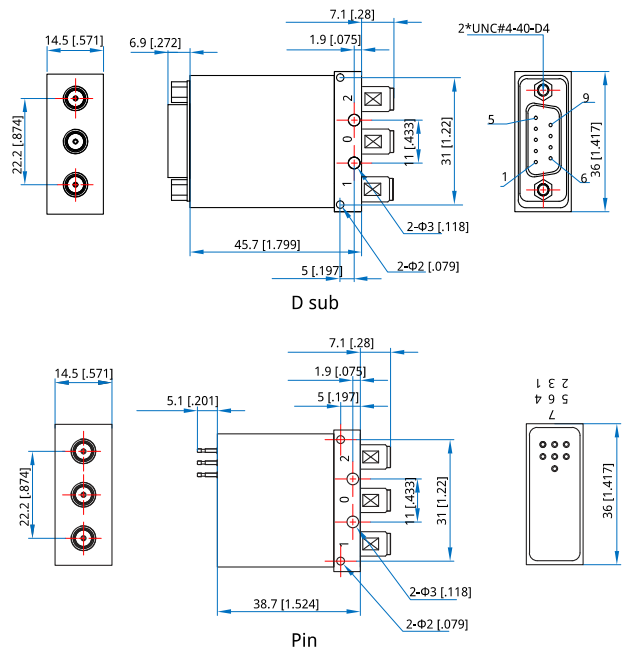
Mechanical

Switching Sequence:	Break before Make
Switching Time:	15mS max.
Operation Life:	2M Cycles
Vibration (operating):	20-2000Hz, 10G RMS
Mechanical Shock (non-operating):	30G, 1/2sine, 11mS
RF Connectors:	2.92mm Female
Power Supply & Control Interface Connectors:	Feed Through/Terminal Post or D-Sub 9

Environmental

Temperature:	-25~+65°C
Extended Temperature:	-40~+85°C

Outline Drawings



Unit: mm [in]
Tolerance: ±0.5mm [±0.00in]

Additional Options

- TTL: T
- Indicators: I
- Extended Temperature: Z
- Positive Common
- Waterproof Sealing Type

How To Order

QMS2K-F-WXYZ

- F: Frequency in GHz
- W: Actuator Type. Failsafe: 0, Latching: 1.
- X: Voltage. +12V: E, +24V: K, +28V: M.
- Y: Power Interface. Pin: 0, D-Sub: 1.
- Z: Additional Options.

Examples:

To order a SPDT switch, DC-40GHz, Failsafe, +12V, D-Sub, TTL, Indicators, specify QMS2K-40-0E1TI.

Customization is available upon request.

Pin Numbering

Failsafe

Pin	Function	Pin	Function
1	VDC(RF: 0 to 2)	4~5	Indicator (1~2)
2	NC	6	Indicator (COM)
3	COM(RF: 0 to 2)	7~9	NC

Failsafe&TTL

Pin	Function	Pin	Function
1	VDC(RF: 0 to 2)	4~5	Indicator (1~2)
2	A1(RF: 0 to 2)	6	Indicator (COM)
3	COM(RF: 0 to 2)	7~9	NC

Latching

Pin	Function	Pin	Function
1	V1(RF: 0 to 1)	4~5	Indicator (1~2)
2	V2(RF: 0 to 2)	6	Indicator (COM)
3	COM	7~9	NC

Latching&TTL

Pin	Function	Pin	Function
1	VDC	5~6	Indicator (1~2)
2	A1(RF: 0 to 1)	7	Indicator (COM)
3	COM	8~9	NC
4	A2(RF: 0 to 2)		

Driving Schematic Diagram

